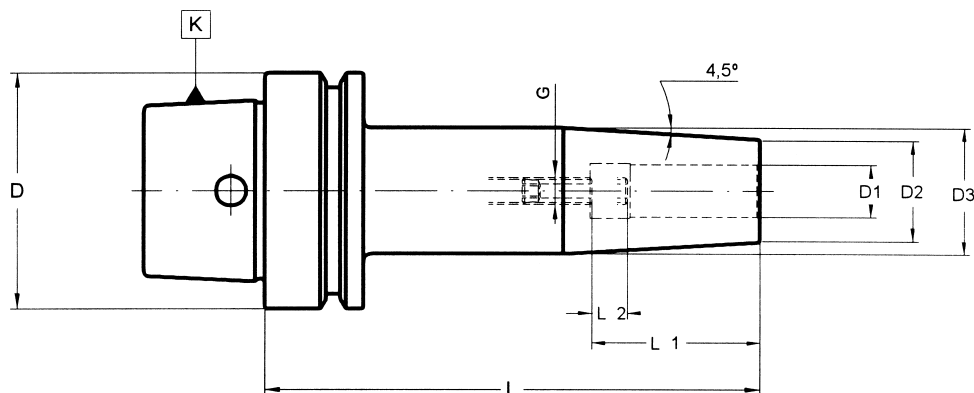


012 18 12 ...

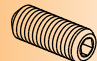
SHRINK FIT CHUCKS (MEDIUM LENGTH)



DIN 69882-8



Maximum circular deviation between K & D₁ ≤ 0,003

D HSK-E	D ₁	D ₂	D ₃	L	L ₁	L ₂	G	COD.	€	
40	3	12	18	120	20	5	M-5	012 18 12 22 03		301 02 33 05 12
40	4	14	20	120	20	5	M-5	012 18 12 22 04		301 02 33 05 22
40	5	16	22	120	25	5	M-5	012 18 12 22 05		301 02 33 05 32
40	6	21	27	120	36	10	M-5	012 18 12 22 06		301 02 33 05 02
40	8	21	27	120	36	10	M-6	012 18 12 22 08		301 02 33 06 02
40	10	24	32	120	41	10	M-8	012 18 12 22 10		301 02 33 08 02
40	12	24	32	120	46	10	M-10	012 18 12 22 12		301 02 33 10 02
50	3	12	18	120	20	5	M-5	012 18 12 23 03		301 02 33 05 12
50	4	14	20	120	20	5	M-5	012 18 12 23 04		301 02 33 05 22
50	5	16	22	120	25	5	M-5	012 18 12 23 05		301 02 33 05 32
50	6	21	27	120	36	10	M-5	012 18 12 23 06		301 02 33 05 02
50	8	21	27	120	36	10	M-6	012 18 12 23 08		301 02 33 06 02
50	10	24	32	120	41	10	M-8	012 18 12 23 10		301 02 33 08 02
50	12	24	32	120	46	10	M-10	012 18 12 23 12		301 02 33 10 02
63	3	12	18	120	20	5	M-5	012 18 12 24 03		301 02 33 05 12
63	4	14	20	120	20	5	M-5	012 18 12 24 04		301 02 33 05 22
63	5	16	22	120	25	5	M-5	012 18 12 24 05		301 02 33 05 32
63	6	21	27	120	36	10	M-5	012 18 12 24 06		301 02 33 05 02
63	8	21	27	120	36	10	M-6	012 18 12 24 08		301 02 33 06 02
63	10	24	32	120	41	10	M-8	012 18 12 24 10		301 02 33 08 02
63	12	24	32	120	46	10	M-10	012 18 12 24 12		301 02 33 10 02
63	14	27	34	120	46	10	M-10	012 18 12 24 14		301 02 33 10 02
63	16	27	34	120	49	10	M-12	012 18 12 24 16		301 02 33 12 02

Design:

For Carbide, Cermet and HSS tool shanks according to DIN 6535 form HA and DIN 1835-1 form A
For tool shank tolerance of h4 for D > 6 mm. and h6 for D ≤ 6 mm.

Performance:

Balanced according to ISO 1940-1 to **25.000 r.p.m. G 2.5**. Under request, able to balance up to 50.000 r.p.m.

Delivery:

With built-in bored through stop screw