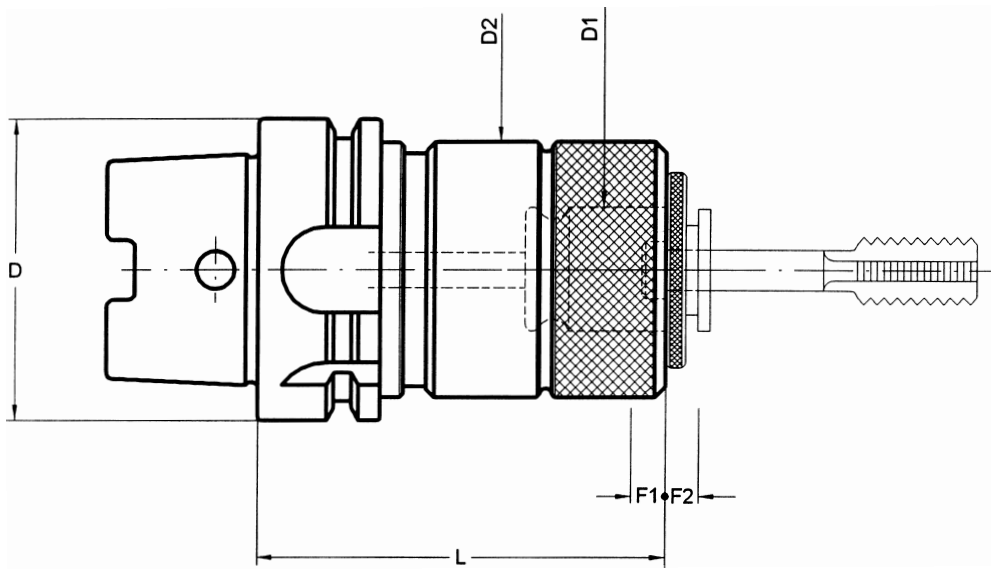


019 14 53

QUICK-CHANGE SOLID DRIVE TAPPING CHUCKS

For synchronized feed control machines



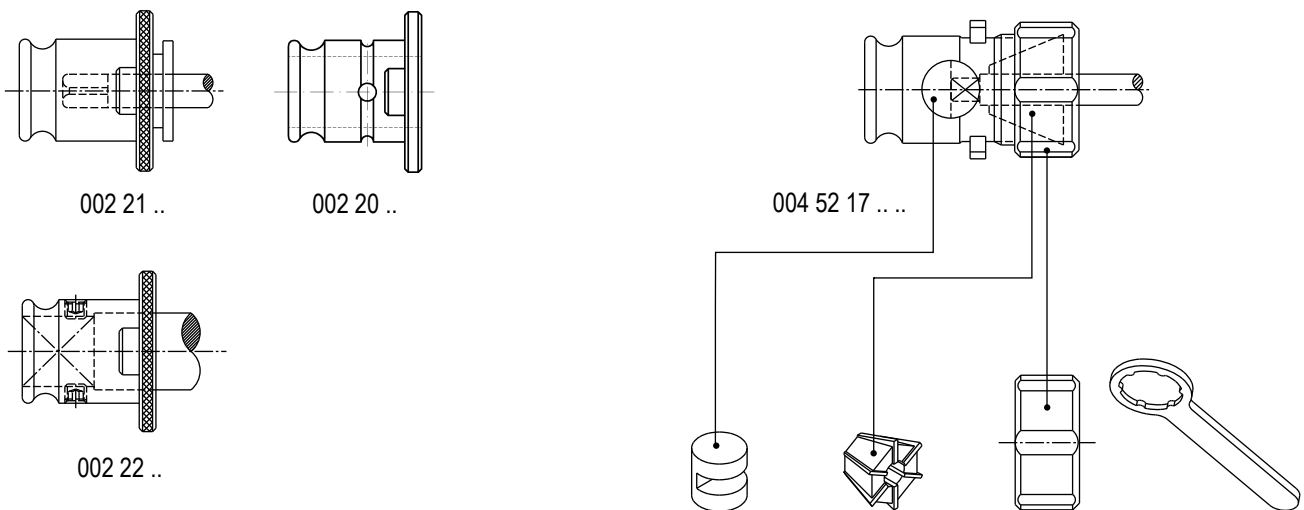
BILZ Adapter

D HSK-A	CAP.	D ₁	L	D ₂	COD.	€
63	M3-M12 (M16)*	19	67	32	019 14 53 04 02	
63	M8-M20 (M30)*	31	87	50	019 14 53 04 03	
80	M3-M12 (M16)*	19	67	32	019 14 53 05 02	
80	M8-M20 (M30)*	31	87	50	019 14 53 05 03	
80	M14-M33 (M48)*	48	129	72	019 14 53 05 04	⚠
100	M3-M12 (M16)*	19	70	32	019 14 53 06 02	
100	M8-M20 (M30)*	31	90	50	019 14 53 06 03	
100	M14-M33 (M48)*	48	116	72	019 14 53 06 04	

* With 002 22 adapters

Coolant tube to be ordered separately.

⚠ Product outside of our present production program. Price subject to availability.



D ₁	002 21 ..		002 22 ..		004 52 17 ...		OPTIONAL	
19	002 21 02	002 22 02	004 52 17 02 02	(M3 - M12)	019 99 52 00 00	002 17 02	004 99 01 09 02	004 99 04 04 02
31	002 21 03	002 22 03	004 52 17 03 03	(M8 - M16)	019 99 53 00 00	002 17 03	004 99 01 09 03	004 99 04 04 03
48	002 21 04	002 22 04	-	-	-	-	-	-