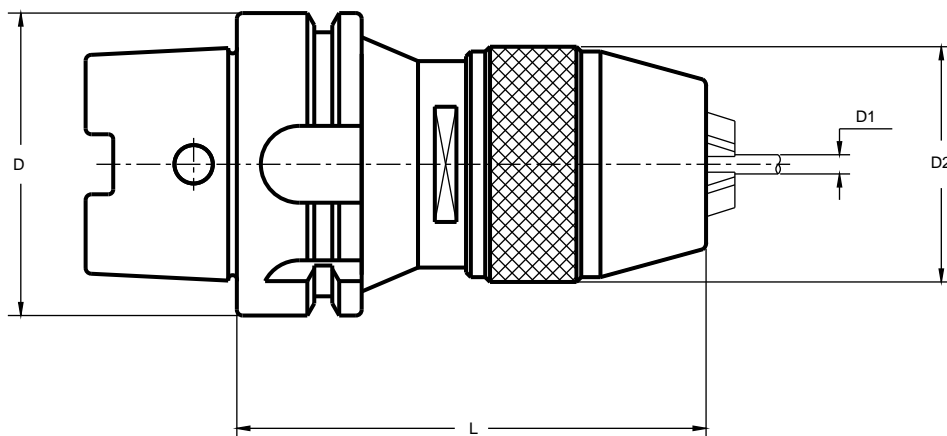

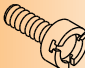



# 012 14 09 .. .. SHORT DRILL CHUCKS



D HSK-A	D <sub>1</sub>	L	D <sub>2</sub>	COD.	€			
50	1-13	120	48	012 14 09 13 13		351 02 60 01 13	351 02 61 01 13	020 99 03 01 13
63	1-13	120	48	012 14 09 14 13		351 02 60 01 13	351 02 61 01 13	020 99 03 01 13
63	3-16	131	54	012 14 09 14 16		351 02 60 03 16	351 02 61 03 16	020 99 03 03 16
80	1-13	124	48	012 14 09 15 13		351 02 60 01 13	351 02 61 01 13	020 99 03 01 13
80	3-16	134	54	012 14 09 15 16		351 02 60 01 16	351 02 61 01 16	020 99 03 01 16
100	3-16	134	54	012 14 09 16 16		351 02 60 03 16	351 02 61 03 16	020 99 03 03 16

## Delivery:

- K<sub>40</sub><sup>30</sup> - Balanced according to ISO 1940-1 up to 10.000 R.p.m.
- We have latest methods for dynamic balancing up to 50.000 R.p.m.