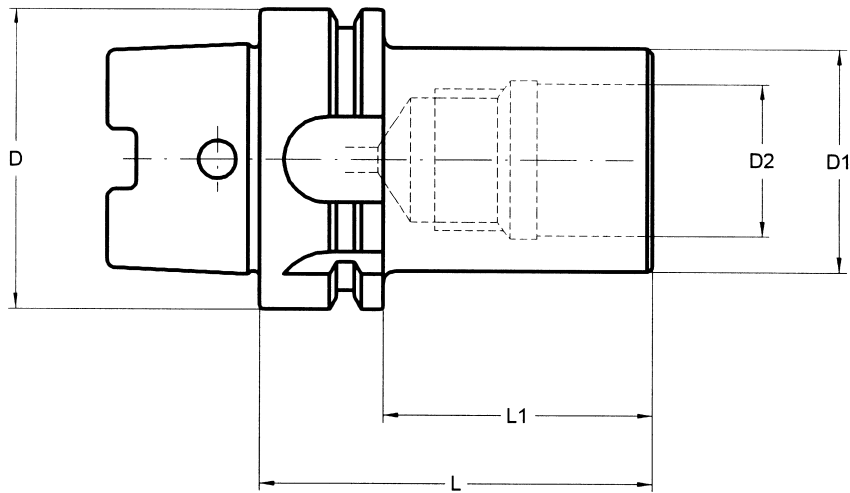


# 003 14 54 ...

## BASIC ADAPTERS FOR MODULAR TOOLING

Interchangeable with C.O. system



Runout between outer taper and inside taper  $\leq 0,003$

D HSK-A	D <sub>1</sub>	D <sub>2</sub> H5	L	L <sub>1</sub>	COD.
50	46	30	75	49	003 14 54 03 06
63	46	30	80	54	003 14 54 04 06
63	63	46	130	-	003 14 54 04 07
80	46	40	90	64	003 14 54 05 06
80	63	46	105	79	003 14 54 05 07
100	46	30	90	61	003 14 54 06 06
100	63	46	110	81	003 14 54 06 07
100	90	46	110	81	003 14 54 06 08

Coolant tube to be ordered separately.

