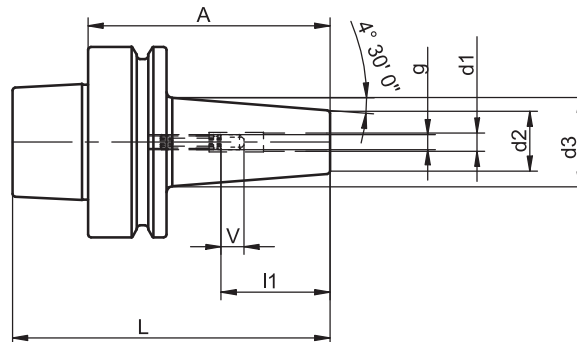


i-tec® Shrink Fit Chucks Standard Version

similar to DIN 69 882-8, type G



HSK-F	d1	A	Ref.no.	d2	d3	l1	g	L	V	kg
63	3	80	311.0011.371	12	17	-	-	105	-	0.7
63	4	80	311.0014.371	12	17	-	-	105	-	0.7
63	5	80	311.0017.371	12	17	-	-	105	-	0.7
63	6	80	311.0001.371	21	30	36	M 5	105	10	0.9
63	8	80	311.0002.371	21	30	36	M 6	105	10	0.9
63	10	85	311.0003.371	24	33	41	M 8 x 1	110	10	0.9
63	12	90	311.0004.371	24	34	47	M10 x 1	115	10	1.0
63	16	95	311.0006.371	27	38	50	M12 x 1	120	10	1.1
63	20	100	311.0008.371	33	45	52	M16 x 1	125	10	1.2

For coolant tubes see accessories page 4.8

For adjusting screws see accessories page 4.8

Design

Permissible concentricity deviation of hollow taper shank to location hole $d_1 = 0.003$ mm (measured at $3 \times D$ cantilever length).

Chucks are fine balanced according to ISO 1940-1 G 2.5 at $25,000 \text{ min}^{-1}$.

The clamping diameter is designed for a shank tolerance of h6.

Standard Specification

Adjusting screw for length adjustment (from $\varnothing 6$) not included.

Note

Other designs and sizes are available on request.

TAC Rockford - Tel. 815 962-4500 - info@TACRockford.com - www.TACRockford.com