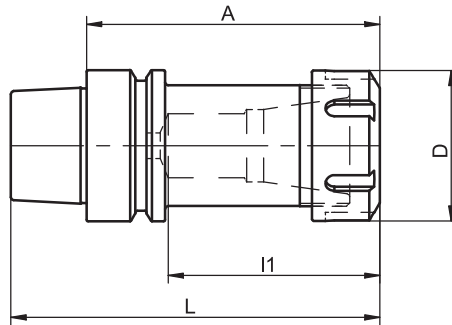


## Collet Chucks

### for ER/ESX ER-25/32 Collets without Internal Thread

similar to DIN 69 882-6



HSK-E	Clamping range	A	Ref.no.	D	l1	L	kg
40	1 - 16	80	<b>697.0201.362</b>	42	36	100	0.5
50	1 - 16	100	<b>697.0204.363</b>	42	36	125	1.2
50	2 - 20	100	<b>697.0201.363</b>	50	40	125	1.2

For coolant tubes see accessories page 4.8

For further accessories such as collets, clamping nuts or clamping keys see accessories from page 4.3 to page 4.7

#### Use

For clamping tools with straight shank according to DIN 6499 type A and B.

#### Design

Permissible concentricity deviation of hollow taper shank to inner taper 0.003 mm.  
Chucks are fine balanced without clamping

nut according to ISO 1940-1 G 6.3 at 12,000 min<sup>-1</sup>.

Clamping nut fine balanced according to G 2.5 at 25,000 min<sup>-1</sup>.

#### Standard Specification

Collet chuck including clamping nut.

#### Note

Chip passage drilled out.  
Other designs and sizes are available on request.