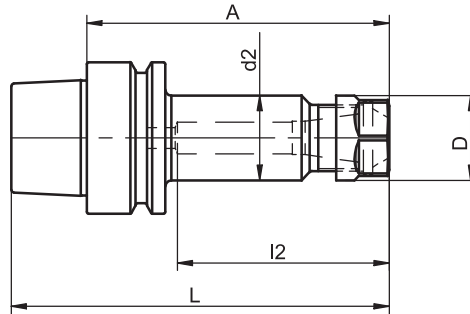


Collet Chucks

for ER/ESX ER-11/16 Collets without Internal Thread

similar to DIN 69 882-6



HSK-E	Clamping range	A	Ref.no.	d2	D	l2	L	kg
40	0.5 - 7	60	698.0211.362	18.5	19	42	80	0.3
40	0.5 - 10	60	698.0201.362	28	32	40	80	0.4
50	0.5 - 10	100	698.0201.363	28	32	70	125	0.6

For coolant tubes see accessories page 4.8

For further accessories such as collets, clamping nuts or clamping keys see accessories from page 4.3 to page 4.7

Use

For clamping tools with straight shank according to DIN 6499 type A and B.

Design

Permissible concentricity deviation of hollow taper shank to inner taper 0.003 mm. Chucks are fine balanced without clamping

nut according to ISO 1940-1 G 6.3 at 12,000 min⁻¹. Clamping nut is fine balanced according to ISO 1940-1 G 2.5 at 25,000 min⁻¹.

Standard Specification

Collet chuck including clamping nut.

Note

Chip passage drilled out. Other designs and sizes are available on request.