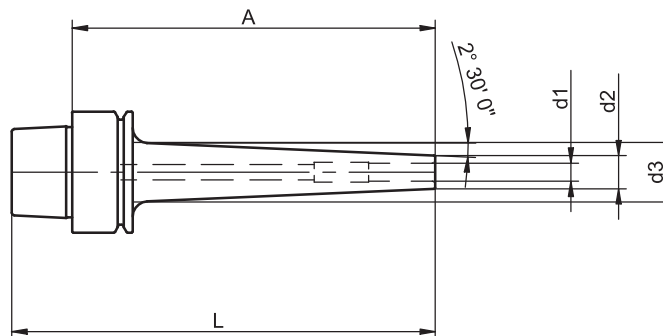


i-tec® Shrink Fit Chucks Extremely Slim Version

similar to DIN 69 882-8, type G



HSK-E	d1	A	Ref.no.	d2	d3	L	kg
40	3	70	311.0411.362	8	12.4	90	0.3
40	3	120	311.0412.362	8	16.8	140	0.3
40	4	70	311.0414.362	9	13.4	90	0.3
40	4	120	311.0415.362	9	17.8	140	0.3
40	5	70	311.0417.362	10	14.4	90	0.3
40	5	120	311.0418.362	10	18.4	140	0.3
40	6	70	311.0401.362	11	15.4	90	0.3
40	6	120	311.0431.362	11	19.4	140	0.4
40	8	70	311.0402.362	13	17.4	90	0.3
40	8	120	311.0432.362	13	21.4	140	0.4
40	10	70	311.0403.362	15	19.4	90	0.3
40	10	120	311.0433.362	15	23.4	140	0.4
40	12	70	311.0404.362	17	21.4	90	0.3
40	12	120	311.0434.362	17	25.4	140	0.5

For coolant tubes see accessories page 4.8

Design

Permissible concentricity deviation of hollow taper shank to location hole $d_1 = 0.003$ mm (measured at $3 \times D$ cantilever length).

Chucks are fine balanced according to ISO 1940-1 G 2.5 at $25,000 \text{ min}^{-1}$.

The clamping diameter is designed for a shank tolerance of h6.

Note

Slim design with an outer chamfer of $2^\circ 30'$.

Other designs and sizes are available on request.

TAC Rockford - Tel. 815 962-4500 - info@TACRockford.com - www.TACRockford.com