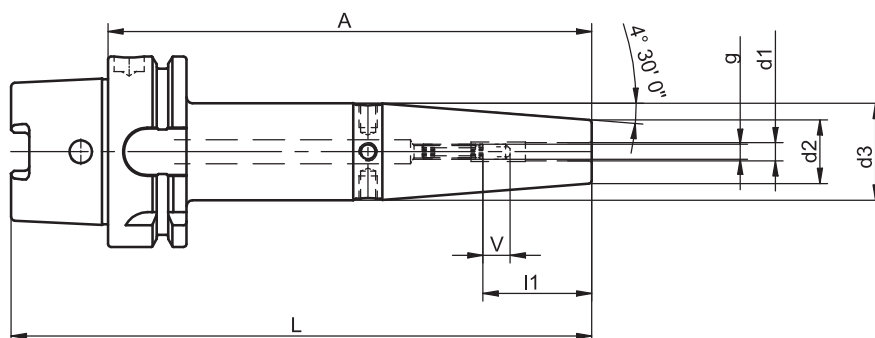


i-tec® Shrink Fit Chucks Standard Version

DIN 69 882-8, type G

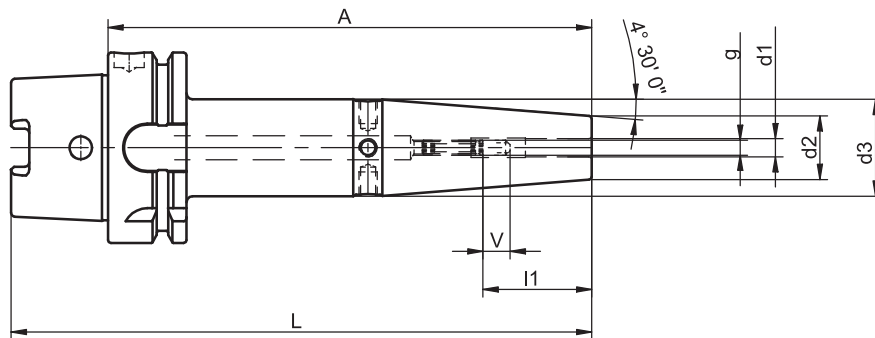


HSK-A	d1	A	Ref.no.	d2	d3	l1	g	L	V	kg
40	3	65	311.0011.320	12	17	-	-	85	-	0.3
40	4	65	311.0012.320	12	17	-	-	85	-	0.3
40	5	65	311.0013.320	12	17	-	-	85	-	0.3
40	6	80	311.0001.320	21	31	36	M 5	100	10	0.5
40	8	80	311.0002.320	21	31	36	M 6	100	10	0.5
40	10	80	311.0003.320	24	34	41	M 8 x 1	100	10	0.5
40	12	90	311.0004.320	24	34	47	M10 x 1	110	10	0.5
50	3	65	311.0011.321	12	17	-	-	90	-	0.4
50	4	65	311.0012.321	12	17	-	-	90	-	0.4
50	5	65	311.0013.321	12	17	-	-	90	-	0.4
50	6	80	311.0001.321	21	30	36	M 5	105	10	0.6
50	8	80	311.0002.321	21	30	36	M 6	105	10	0.6
50	10	85	311.0003.321	24	33	41	M 8 x 1	110	10	0.7
50	12	90	311.0004.321	24	34	47	M10 x 1	115	10	0.7
50	14	90	311.0005.321	27	37	47	M10 x 1	115	10	0.8
50	16	95	311.0006.321	27	38	50	M12 x 1	120	10	0.8
50	18	95	311.0007.321	33	42	50	M12 x 1	120	10	0.9
50	20	100	311.0008.321	33	42	52	M16 x 1	125	10	0.9
63	3	80	311.0011.322	12	17	-	-	112	-	0.7
63	3	120	311.0012.322	12	17	-	-	152	-	0.9
63	3	160	311.0013.322	12	17	-	-	192	-	1.0
63	4	80	311.0014.322	12	17	-	-	112	-	0.7
63	4	120	311.0015.322	12	17	-	-	152	-	0.9
63	4	160	311.0016.322	12	17	-	-	192	-	1.0
63	5	80	311.0017.322	12	17	-	-	112	-	0.7
63	5	120	311.0018.322	12	17	-	-	152	-	0.9
63	5	160	311.0019.322	12	17	-	-	192	-	1.0
63	6	80	311.0001.322	21	30	36	M 5	112	10	0.9
63	6	120	311.0031.322	21	32	36	M 5	152	10	1.1
63	6	160	311.0041.322	21	32	36	M 5	192	10	1.3
63	8	80	311.0002.322	21	30	36	M 6	112	10	0.9
63	8	120	311.0032.322	21	32	36	M 6	152	10	1.1
63	8	160	311.0042.322	21	32	36	M 6	192	10	1.3
63	10	85	311.0003.322	24	33	41	M 8 x 1	117	10	0.9
63	10	120	311.0033.322	24	34	41	M 8 x 1	152	10	1.2
63	10	160	311.0043.322	24	34	41	M 8 x 1	192	10	1.5
63	12	90	311.0004.322	24	34	47	M10 x 1	122	10	1.0
63	12	120	311.0034.322	24	34	47	M10 x 1	152	10	1.2
63	12	160	311.0044.322	24	34	47	M10 x 1	192	10	1.5
63	14	90	311.0005.322	27	37	47	M10 x 1	122	10	1.0
63	14	120	311.0035.322	27	36	47	M10 x 1	152	10	1.2
63	14	160	311.0045.322	27	36	47	M10 x 1	192	10	1.6
63	16	95	311.0006.322	27	38	50	M12 x 1	127	10	1.1

TAC Rockford - Tel. 815 962-4500 - info@TACRockford.com - www.TACRockford.com

i-tec® Shrink Fit Chucks Standard Version

DIN 69 882-8, type G

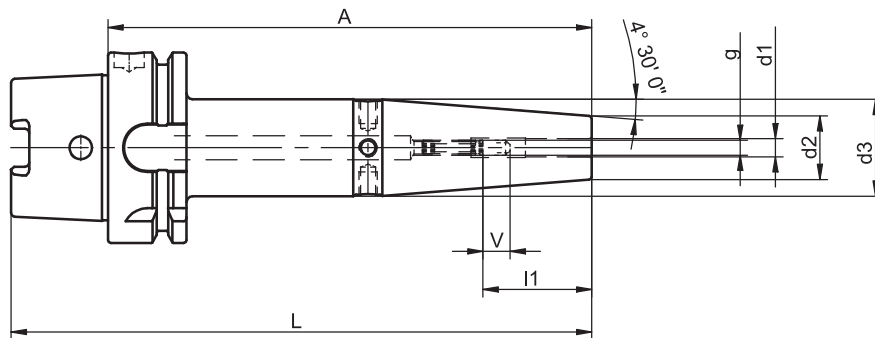


HSK-A	d1	A	Ref.no.	d2	d3	l1	g	L	V	kg
63	16	120	311.0036.322	27	36	50	M12 x 1	152	10	1.2
63	16	160	311.0046.322	27	36	50	M12 x 1	192	10	1.6
63	18	95	311.0007.322	33	44	50	M12 x 1	127	10	1.2
63	18	160	311.0047.322	33	44	50	M12 x 1	192	10	1.9
63	20	100	311.0008.322	33	45	52	M16 x 1	132	10	1.2
63	20	160	311.0048.322	33	44	52	M16 x 1	192	10	1.9
63	20	200	311.0098.322	33	44	52	M16 x 1	232	10	2.3
63	25	115	311.0009.322	44	53	58	M16 x 1	147	10	1.7
63	25	160	311.0049.322	44	53	58	M16 x 1	192	10	2.5
63	25	200	311.0099.322	44	53	58	M16 x 1	232	10	3.2
63	32	120	311.0010.322	44	53	61	M16 x 1	152	10	1.6
63	32	160	311.0050.322	44	53	61	M16 x 1	192	10	2.3
80	6	85	311.0001.323	21	30	36	M 5	125	10	1.3
80	8	85	311.0002.323	21	30	36	M 6	125	10	1.3
80	10	90	311.0003.323	24	34	41	M 8 x 1	130	10	1.4
80	12	95	311.0004.323	24	35	47	M10 x 1	135	10	1.4
80	14	95	311.0005.323	27	38	47	M10 x 1	135	10	1.5
80	16	100	311.0006.323	27	39	50	M12 x 1	140	10	1.5
80	18	100	311.0007.323	33	45	50	M12 x 1	140	10	1.6
80	20	105	311.0008.323	33	45	52	M16 x 1	145	10	1.7
80	25	115	311.0009.323	44	53	58	M16 x 1	155	10	2.1
80	32	120	311.0010.323	44	56	61	M16 x 1	160	10	2.1
100	6	85	311.0001.324	21	30	36	M 5	135	10	2.2
100	6	120	311.0031.324	21	32	36	M 5	170	10	2.4
100	6	160	311.0041.324	21	32	36	M 5	210	10	2.7
100	8	85	311.0002.324	21	30	36	M 6	135	10	2.2
100	8	120	311.0032.324	21	32	36	M 6	170	10	2.4
100	8	160	311.0042.324	21	32	36	M 6	210	10	2.7
100	10	90	311.0003.324	24	34	41	M 8 x 1	140	10	2.3
100	10	120	311.0033.324	24	34	41	M 8 x 1	170	10	2.6
100	10	160	311.0043.324	24	34	41	M 8 x 1	210	10	2.9
100	12	95	311.0004.324	24	35	47	M10 x 1	145	10	2.3
100	12	120	311.0034.324	24	34	47	M10 x 1	170	10	2.6
100	12	160	311.0044.324	24	34	47	M10 x 1	210	10	2.9
100	14	95	311.0005.324	27	38	47	M10 x 1	145	10	2.3
100	14	120	311.0035.324	27	36	47	M10 x 1	170	10	2.6
100	14	160	311.0045.324	27	36	47	M10 x 1	210	10	3.0
100	16	100	311.0006.324	27	39	50	M12 x 1	150	10	2.4
100	16	160	311.0036.324	27	36	50	M12 x 1	210	10	3.0
100	18	100	311.0007.324	33	45	50	M12 x 1	150	10	2.5
100	18	160	311.0037.324	33	44	50	M12 x 1	210	10	3.3
100	20	105	311.0008.324	33	45	52	M16 x 1	155	10	2.5
100	20	160	311.0038.324	33	44	52	M16 x 1	210	10	3.3

TAC Rockford - Tel. 815 962-4500 - info@TACRockford.com - www.TACRockford.com

i-tec® Shrink Fit Chucks Standard Version

DIN 69 882-8, type G



HSK-A	d1	A	Ref.no.	d2	d3	l1	g	L	V	kg
100	25	115	311.0009.324	44	53	58	M16 x 1	165	10	3.0
100	25	160	311.0049.324	44	53	58	M16 x 1	210	10	3.8
100	32	120	311.0010.324	44	59	61	M16 x 1	170	10	3.0
100	32	160	311.0050.324	44	53	61	M16 x 1	210	10	3.7

For coolant tubes see accessories page 4.8

For adjusting screws see accessories page 4.8

Design

Permissible concentricity deviation of hollow taper shank to location hole $d_1 = 0.003$ mm (measured at $3 \times D$ cantilever length).

Chucks are fine balanced according to ISO 1940-1 G 2.5 at $25,000 \text{ min}^{-1}$.

The clamping diameter is designed for a shank tolerance of h6.

Standard Specification

Adjusting screw for length adjustment (from $\text{Ø } 6$) is not included.

Note

For further fine balancing of the chucks threaded holes are fitted on the coverage (up to HSK 63).

Can be rebalanced with threaded pins.

Other designs and sizes are available on request.

TAC Rockford - Tel. 815 962-4500 - info@TACRockford.com - www.TACRockford.com