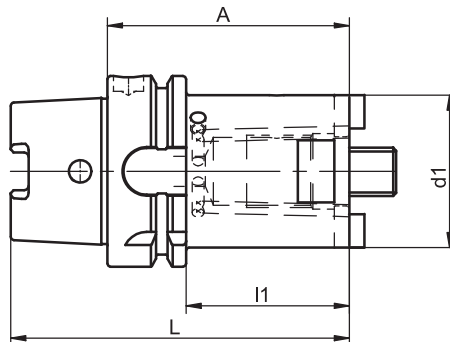


Tooling System KELCH FLEXIBORE Basic Holders



HSK-A	d1	A	Ref.no.	l1	L	kg
40	25	60	494.0001.320	40	80	0.4
40	32	60	494.0002.320	40	80	0.4
40	40	70	494.0003.320	50	90	0.6
50	25	60	494.0001.321	34	85	0.5
50	32	60	494.0002.321	34	85	0.5
50	40	80	494.0003.321	54	105	0.7
50	50	80	494.0004.321	54	105	0.8
63	25	60	494.0001.322	34	92	0.9
63	32	70	494.0002.322	44	102	1.0
63	40	80	494.0003.322	54	112	1.2
63	50	80	494.0004.322	54	112	1.2
63	63	80	494.0005.322	54	112	1.3
80	25	70	494.0001.323	44	110	1.7
80	32	80	494.0002.323	44	110	2.2
80	40	80	494.0003.323	54	120	2.3
80	50	80	494.0004.323	54	120	2.6
80	63	80	494.0005.323	54	120	2.7
80	100	100	494.0006.323	74	140	3.8
100	25	70	494.0001.324	41	120	1.9
100	32	80	494.0002.324	51	130	2.4
100	40	80	494.0003.324	51	130	2.5
100	50	80	494.0004.324	51	130	2.7
100	63	80	494.0005.324	51	130	2.9
100	100	100	494.0006.324	71	150	4.0

For coolant tubes see accessories page 4.8

For anti-fatigue bolts see accessories page 4.15

For allen keys see accessories page 4.15

Design

Permissible concentricity deviation of hollow taper shank to location hole 0.005 mm.

Permissible axial runout deviation of hollow taper shank to contact face 0.003 mm.

Standard Specification

Anti-fatigue bolt and tightened driving dogs included.

Note

When screwing the FLEXIBORE modules together the cooling tube has to be removed.

Other designs and sizes are available on request.