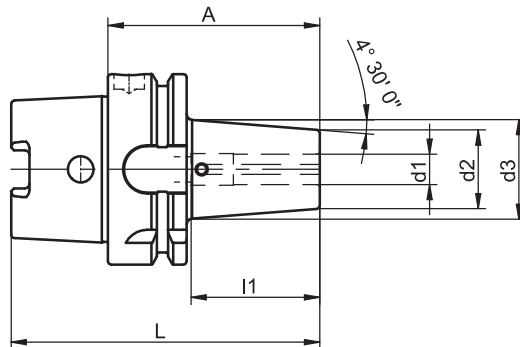


i-tec® Shrink Fit Chucks Ultra Short Version

similar to DIN 69 882-8, type G



HSK-A	d1	A	Ref.no.	d2	d3	l1	L	kg
63	10	70	311.4353.322	26	33	41	102	0.9
63	12	70	311.4354.322	26	33	45	102	0.9
63	16	75	311.4356.322	29	37	50	107	0.9
63	20	75	311.4358.322	35	43	50	107	1.0
63	25	85	311.4359.322	45	53	59	117	1.3

For coolant tubes see accessories page 4.8

For adjusting screws see accessories page 4.8

Design

Permissible concentricity deviation of hollow taper shank to location hole $d_1 = 0.003$ mm (measured at $3 \times D$ cantilever length).

Chucks are fine balanced according to ISO 1940-1 G 2.5 at $25,000 \text{ min}^{-1}$.

The clamping diameter is designed for a shank tolerance of h6.

Fitted with Cool-Stream bores.

Note

Other designs and sizes are available on request.