

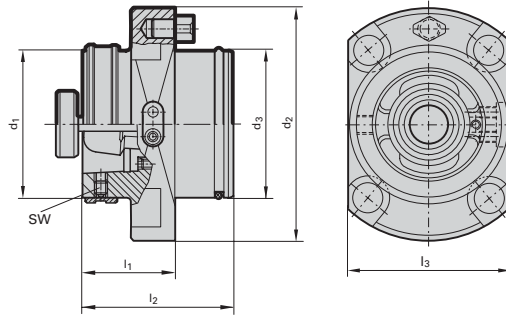
HSK adaptors for turning centres

Product information

- for fixed tools
- incl. setting element to eliminate drive play with vertical tools

Scope of delivery

- incl. clamping set, Guhring no. 4554
- incl. brass locking ring, Guhring no. 4953
- incl. indexing pin and retention screws



Guhring no.

4582



HSK-C d ₁	d ₂ mm	d ₃ mm	l ₁ mm	l ₂ mm	l ₃ mm	SW	kg	Aus- führung	Code no.	Availability
50	84	50	35	55.0	55	4	0.98	links	38,100	•
50	84	50	35	55.0	55	4	0.98	rechts	38,200	•
63	100	63	40	64.5	70	5	1.74	links	48,100	•
63	100	63	40	64.5	70	5	1.74	rechts	48,200	•

PowerClamp

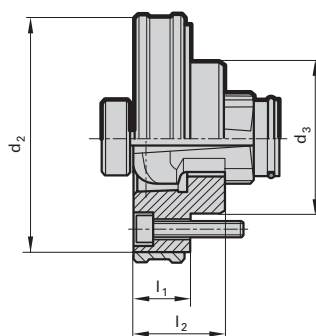
HSK-C spindle adaptors (integrated)

Product information

- with larger axial plane

Scope of delivery

- incl. clamping set, Guhring no. 4554
- incl. brass locking ring, Guhring no. 4953
- incl. indexing pin and retention screws



Guhring no.

4584



for HSK-C	d ₂ mm	d ₃ mm	l ₁ mm	l ₂ mm	SW	kg	Code no.	Availability
32	40	27.0	12.5	21.10	2.5	0.16	24,000	•
40	50	33.5	15.0	25.70	3.0	0.28	30,000	•
50	63	42.0	17.5	32.10	4.0	0.55	38,000	•
63	80	55.0	22.5	40.05	5.0	1.14	48,000	•
80	100	68.0	27.5	51.40	6.0	2.20	60,000	•
100	125	88.0	30.0	64.00	8.0	4.00	75,000	•