

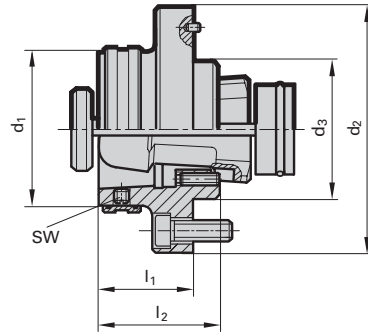
HSK adaptors (in front)

Scope of delivery

- incl. clamping set, Guhring no. 4554
- incl. brass locking ring, Guhring no. 4953
- incl. indexing pin and retention screw

Guhring no.

4581



HSK-C d ₁	d ₂ mm	d ₃ mm	l ₁ mm	l ₂ mm	SW	kg	Code no.	Availability
25	45	23	20.0	26.5	2.0	0.17	19,000	•
32	55	28	17.5	23.0	2.5	0.22	24,000	•
40	63	36	22.5	29.0	3.0	0.40	30,000	•
50	80	46	27.5	36.0	4.0	0.74	38,000	•
63	100	56	35.0	46.0	5.0	1.50	48,000	•
80	125	66	45.0	58.0	6.0	2.94	60,000	•
100	160	86	57.0	72.0	8.0	5.90	75,000	•

PowerClamp

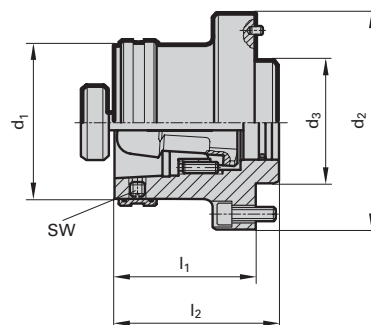
HSK adaptors (in front)

Scope of delivery

- incl. clamping set, Guhring no. 4554
- incl. Al locking ring, Guhring no. 4553
- incl. indexing pin and retention screws

Guhring no.

4586



HSK-C d ₁	d ₂ mm	d ₃ mm	l ₁ mm	l ₂ mm	SW	kg	Code no.	Availability
40	70	35	32.5	42.5	3	0.55	30,000	•
50	80	40	43.0	53.0	4	1.00	38,000	•
63	100	50	53.0	65.0	5	1.90	48,000	•
80	117	60	73.0	85.0	6	3.60	60,000	•
100	140	80	94.0	106.0	8	7.20	75,000	•