

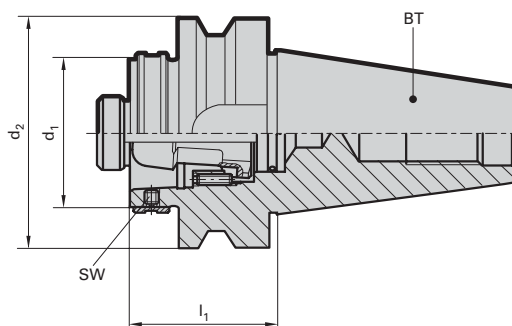
## MAS 403 BT/HSK-C basic adaptors

### Scope of delivery

- incl. clamping set, Guhring no. 4554
- incl. brass locking ring, Guhring no. 4953
- order clamping key and draw in bolt separately

Guhring no.

4514



BT	HSK-C d <sub>1</sub>	d <sub>2</sub> mm	l <sub>1</sub> mm	SW	kg	Code no.	Availability
40	40	63	40	3	0.92	40,040	○
40	50	63	40	4	0.95	40,050	●
50	40	100	50	3	2.90	50,040	●
50	50	100	60	4	3.15	50,050	●
50	63	100	60	5	3.69	50,063	●

PowerClamp

## ISO taper DIN 2080 form A/HSK-C basic adaptors

### Product information

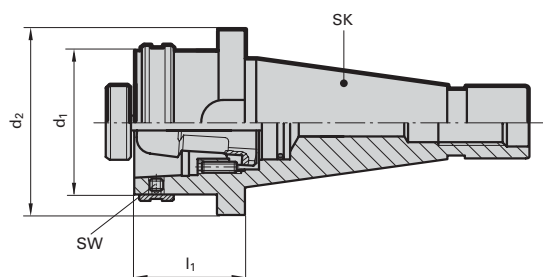
- with ring notch for Ott clamping system

### Scope of delivery

- incl. clamping set, Guhring no. 4554
- incl. brass locking ring, Guhring no. 4953
- order clamping key and draw-in bolt separately

Guhring no.

4509



SK	HSK-C d <sub>1</sub>	d <sub>2</sub> mm	l <sub>1</sub> mm	SW	kg	Code no.	Availability
40	50	63.0	40	4	1.3	40,050	●
50	50	97.5	40	4	3.0	50,050	●
50	63	97.5	40	5	3.3	50,063	●