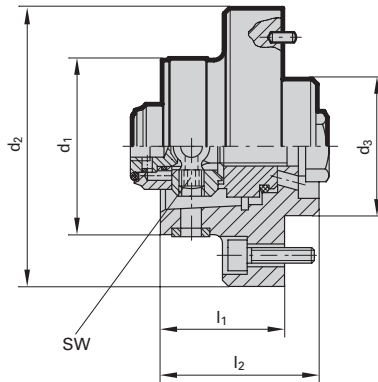


HSK spindle adaptors (in front)

Scope of delivery

- including clamping set Guhring no. 4958 for conventional cooling
- incl. brass locking ring Guhring no. 4953
- incl. indexing pin and retention screws
- for MQL application, order as special adaptor with MQL clamping set Guhring no. 4930 and MQL retention nut, Guhring no. 4935



Guhring no.

4386



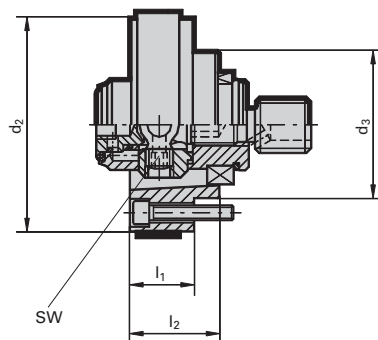
HSK-C d ₁	d ₂ mm	d ₃ mm	l ₁ mm	l ₂ mm	SW	kg	Code no.	Availability
25	45	23	20	28	2.5	0.22	19,000	•
32	60	30	26	36	2.5	0.38	24,000	•
40	70	35	30	40	3.0	0.60	30,000	•
50	80	40	35	45	4.0	0.92	38,000	•
63	100	50	43	55	5.0	1.75	48,000	•
80	117	60	50	62	6.0	2.79	60,000	•

4-point
clamping sets

Short HSK spindle adaptors (integrated)

Scope of delivery

- including clamping set Guhring no. 4958 for conventional cooling
- incl. brass locking ring Guhring no. 4953
- incl. indexing pin and retention screws
- for MQL application, order as special adaptor with MQL clamping set Guhring no. 4930



Guhring no.

4385



for HSK-C	d ₂ mm	d ₃ mm	l ₁ mm	l ₂ mm	SW	kg	Code no.	Availability
32	40	27.0	12.5	16	2.5	0.14	24,000	•
40	50	33.5	15.0	20	3.0	0.26	30,000	•
50	63	42.0	17.5	25	4.0	0.48	38,000	•
63	80	55.0	22.5	32	5.0	0.99	48,000	•
80	100	68.0	27.5	40	6.0	1.88	60,000	•