

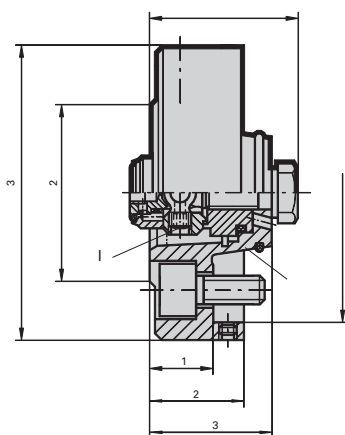
ISO taper/HSK-C basic adaptor for spindles to DIN 2079

Scope of delivery

- incl. clamping set Guhring no. 4958 for conventional cooling
- incl. retention screws

Guhring no.

4387



for SK	for HSK-C	d ₂ mm	d ₃ mm	d ₄ mm	l ₁ mm	l ₂ mm	l ₃ mm	l ₄ mm	SW	kg	Code no.	Availability
30	40	50	85	69.83	25	35	37.0	39.0	3	1.08	30,030	•
40	50	63	100	88.88	20	30	39.5	46.5	4	1.40	40,038	•
50	63	80	150	128.57	25	40	48.5	58.5	5	1.96	50,048	•
50	80	100	150	128.57	40	55	61.1	71.1	6	2.20	50,060	•

4-point clamping sets

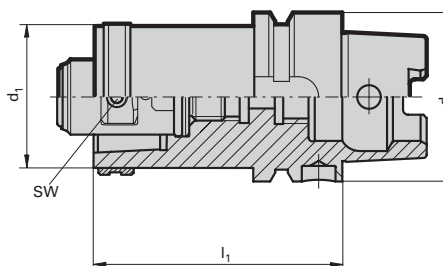
HSK-A/HSK-C reductions

Scope of delivery

- incl. clamping set Guhring no. 4958 for conventional cooling
- incl. brass locking ring Guhring no. 4953

Guhring no.

4355



HSK-A d ₂	HSK-C d ₁	l ₁ mm	SW	kg	Code no.	Availability
40	32	60	2.5	0.42	32,040	○
50	32	60	2.5	0.54	32,050	•
50	40	70	3.0	0.69	40,050	•
63	32	60	2.5	1.08	32,063	•
63	40	70	3.0	1.15	40,063	•
63	50	80	4.0	1.23	50,063	•
80	50	90	4.0	2.00	50,080	○
80	63	100	5.0	2.69	63,080	○
100	50	90	4.0	2.80	50,100	•
100	63	100	5.0	3.31	63,100	•