

All dimensions in mm.

BILZ Size

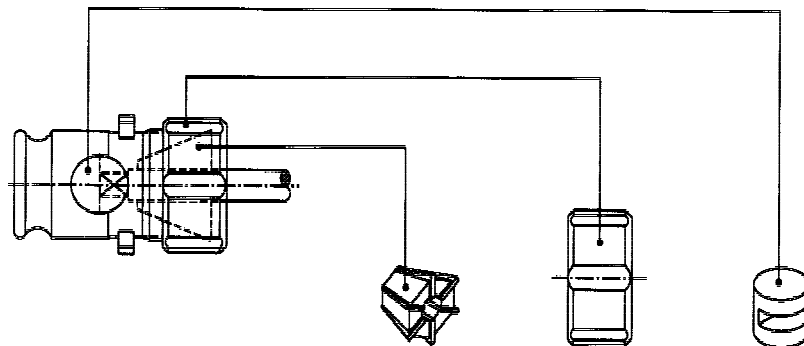
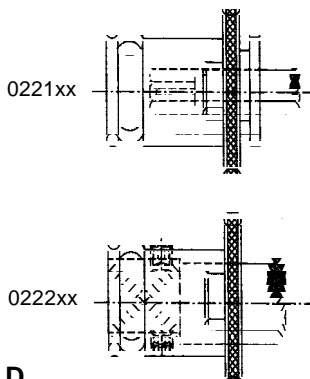


- For synchronized feed control machines
- Coolant tube to be ordered separately

D-HSK	Size	D ₁	L	D ₂	kg/lb	Order Number
63	M3-M12 (M-16)*	19	67	32	1.20/2.65	612.763.019.067
63	M8-M20 (M-30)*	31	87	50	2.10/4.63	612.763.031.087
80	M3-M12 (M-16)*	19	67	32	2.00/4.41	612.780.019.067
80	M8-M20 (M-30)*	31	87	50	2.90/6.39	612.780.031.087
100	M3-M12 (M-16)*	19	70	32	3.40/7.50	612.790.019.070
100	M8-M20 (M-30)*	31	90	50	4.00/8.82	612.790.031.090
100	M14-M33 (M-48)*	48	116	72	5.00/11.02	612.790.048.116

* With 0222xx adapters

F₁ is compression run; F₂ is extension run



OPTIONAL

D ₁	0221xx	0222xx	0452170202 (M3-M12)	021702.....	0499010902	199952.....	0499040402
19	022102	022202	0452170202 (M3-M12)	021702.....	0499010902	199952.....	0499040402
31	022103	022203	0452170303 (M8-M16)	021703.....	0499010903	199953.....	0499040403
48	022104	022204	-	-	-	-	-