

All dimensions in mm.

BILZ Size

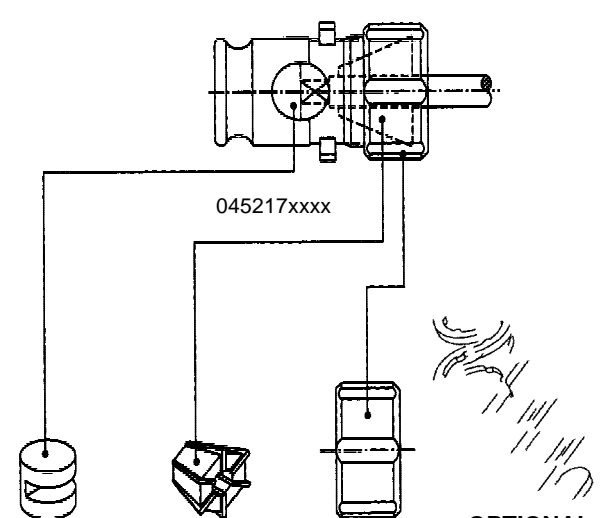
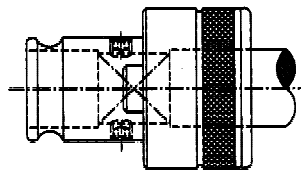
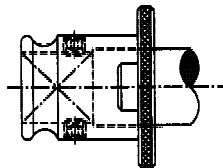
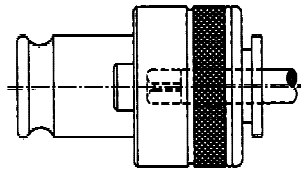
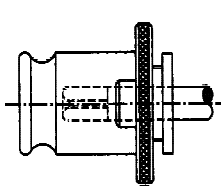


- With self feed and compression system
- For BILZ system tap adapter

| D-HSK | Size | D ₁ | L | D ₂ | F ₁ | F ₂ | kg/lb | Order Number |
|-------|-----------------|----------------|-----|----------------|----------------|----------------|------------|-----------------|
| 50 | M3-M12 (M-16)* | 19 | 116 | 36 | 7.5 | 7.5 | 1.10/2.43 | 612.650.019.116 |
| 63 | M3-M12 (M-16)* | 19 | 112 | 36 | 7.5 | 7.5 | 1.60/3.53 | 612.663.019.112 |
| 63 | M8-M20 (M-30)* | 31 | 145 | 53 | 12.5 | 12.5 | 2.90/6.39 | 612.663.031.145 |
| 80 | M3-M12 (M-16)* | 19 | 115 | 36 | 7.5 | 7.5 | 3.20/7.05 | 612.680.019.115 |
| 80 | M8-M20 (M-30)* | 31 | 145 | 53 | 12.5 | 12.5 | 4.00/8.82 | 612.680.031.145 |
| 100 | M3-M12 (M-16)* | 19 | 130 | 36 | 7.5 | 7.5 | 3.80/8.38 | 612.690.019.130 |
| 100 | M8-M20 (M-30)* | 31 | 153 | 53 | 12.5 | 12.5 | 4.40/9.70 | 612.690.031.153 |
| 100 | M14-M33 (M-48)* | 48 | 215 | 78 | 20 | 20 | 5.50/12.13 | 612.690.048.215 |

* With 0222xx and 0224xx adapters

F₁ is compression run; F₂ is extension run



OPTIONAL

| D ₁ | 022102 | 022202 | 022302 | 022402 | 0452170202 (M3-M12) | 199952..... | 021702..... | 0499010902 | 0499040402 |
|----------------|--------|--------|--------|--------|---------------------|-------------|-------------|------------|------------|
| 19 | 022102 | 022202 | 022302 | 022402 | 0452170202 (M3-M12) | 199952..... | 021702..... | 0499010902 | 0499040402 |
| 31 | 022103 | 022203 | 022303 | 022403 | 0452170303 (M8-M16) | 199953..... | 021703..... | 0499010903 | 0499040403 |
| 48 | 022104 | 022204 | 022304 | 022404 | - | - | - | - | - |